

Pipe Ram Assembly for **S** Type BOP

1. Ram body
2. Bolt
3. Ram bolt
4. Ram packer
5. Clamp holder

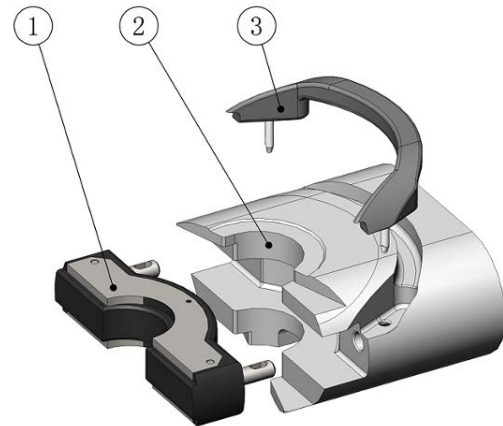


U/S Type BOP Pipe Ram Specification

Working pressure MPa (psi)	Bore size (inch)								
	18 (7 1/16)	23 (9)	28 (11)	35 (13 5/8)	43 (16 3/4)	48 (18 3/4)	53 (20 3/4)	54 (21 1/4)	68 (26 3/4)
140(20000)			√						
105(15000)	√	√	√	√					
70(10000)	√	√	√	√		√		√	
35(5000)	√	√	√	√	√	√		√	
21(3000)	√	√	√	√	√		√		√
14(2000)								√	

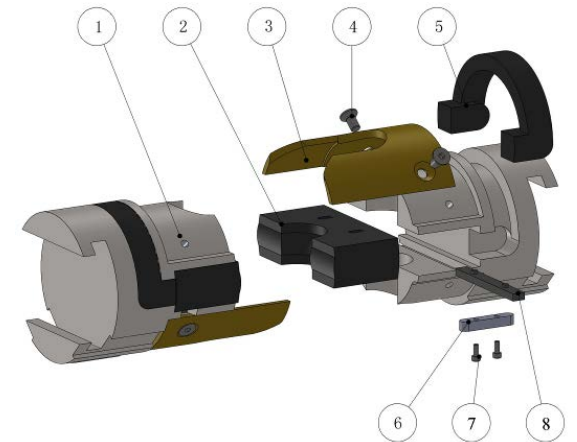
Pipe Ram Assembly for **U** Type BOP

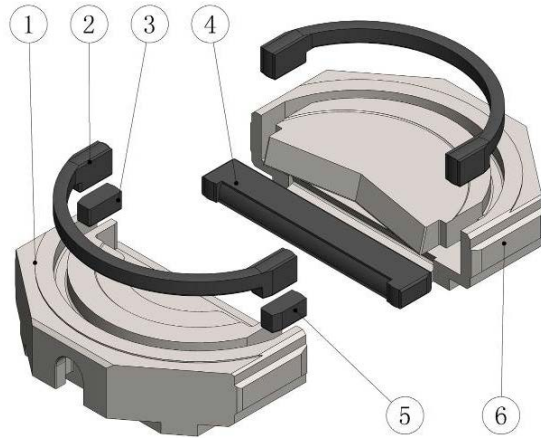
1. Top seal rubber
2. Ram body
3. Front seal rubber



Pipe Ram Assembly for **Coiled Tubing** BOP

1. Ram body
2. Front rubber
3. Counter-vanes
4. Screw
5. Top sealing rubber
6. Locating key
7. Screw
8. Feather key





Shear Ram Assembly for **S** Type BOP

1. Down shear ram body
2. Top seal rubber
3. Right seal rubber
4. Blade seal
5. Left seal rubber
6. Up shear ram body

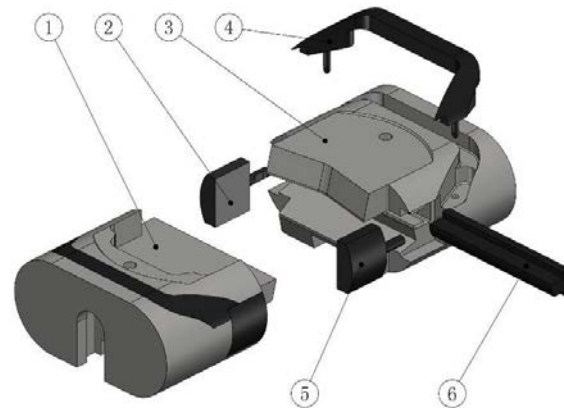


U/S Type BOP Shear Ram Specification

Working pressure MPa (psi)	Bore size (inch)								
	18 (7 1/16)	23 (9)	28 (11)	35 (13 5/8)	43 (16 3/4)	48 (18 3/4)	53 (20 3/4)	54 (21 1/4)	68 (26 3/4)
140(20000)			√						
105(15000)	√	√	√	√					
70(10000)	√	√	√	√		√		√	
35(5000)	√	√	√	√	√	√		√	
21(3000)	√	√	√	√	√		√		√
14(2000)								√	

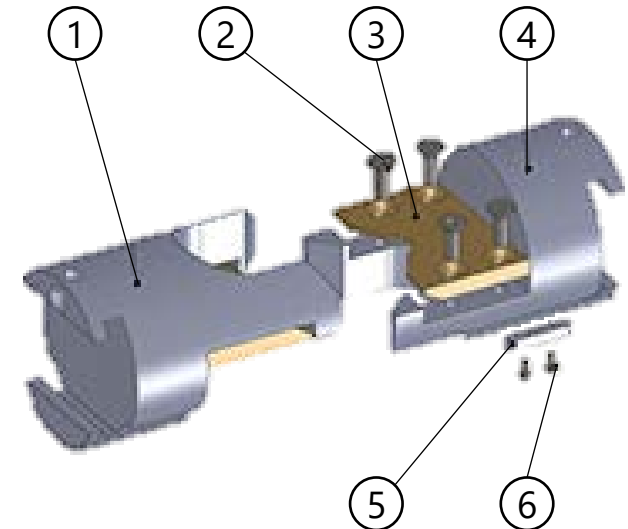
Shear Ram Assembly for **U** Type BOP

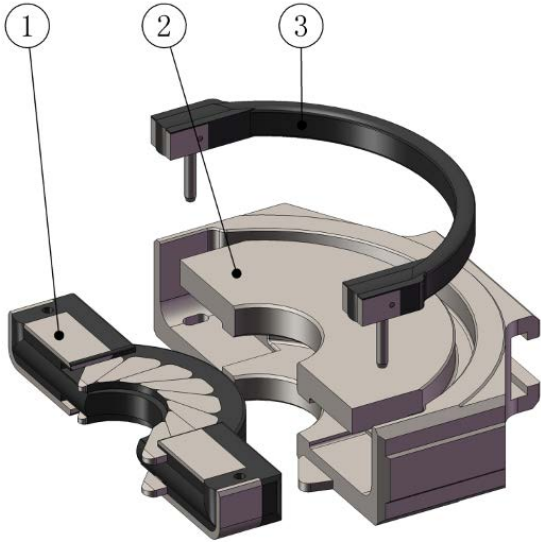
1. Down shear ram body
2. Left seal rubber
3. Up shear ram body
4. Top seal rubber
5. Right seal rubber
6. Blade seal



Shear Ram Assembly for **Coiled Tubing** BOP

1. Up shear ram body
2. Screw
3. Shear blade
4. Down shear ram body
5. Locating key
6. Screw





Variable Ram Assembly for **S** Type BOP

1. Variable ram packer
2. Ram body
3. Top seal rubber

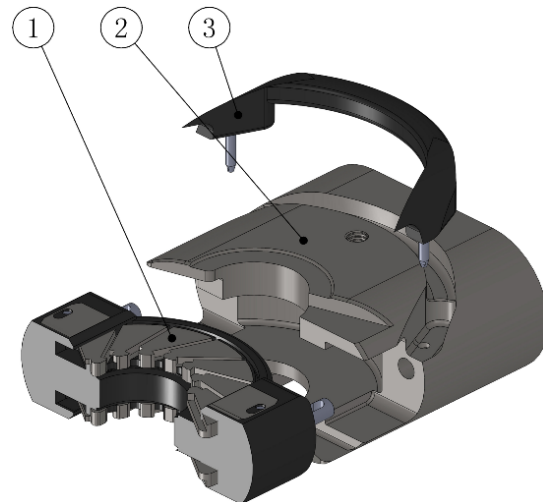


U/S Type BOP Variable Ram Specification

Working pressure MPa (psi)	Bore size (inch)								
	18 (7 1/16)	23 (9)	28 (11)	35 (13 5/8)	43 (16 3/4)	48 (18 3/4)	53 (20 3/4)	54 (21 1/4)	68 (26 3/4)
140(20000)			√						
105(15000)	√	√	√	√					
70(10000)	√	√	√	√		√		√	
35(5000)	√	√	√	√	√	√		√	
21(3000)	√	√	√	√	√		√		√
14(2000)								√	

Variable Ram Assembly for **U** Type BOP

1. Variable ram packer
2. Ram body
3. Top seal rubber



U/S Type BOP Variable Ram Range

- 2-3/8" to 3-1/2"
- 2-7/8" to 5"
- 3-1/2" to 5"
- 4-1/2" to 5-1/2"
- 5" to 7"

More ranges may be available. Please contact our sales for details.